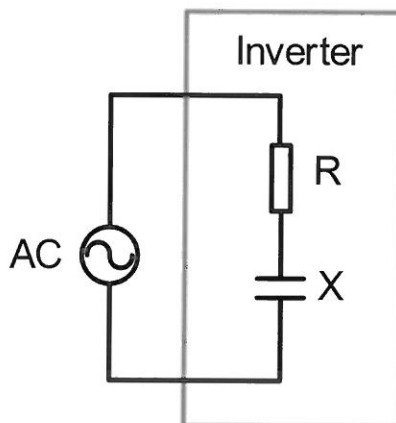




Impedance at 175 Hz

HUAWEI TECHNOLOGIES Co., Ltd. declares that the PV Inverter Brand/Model:

HUAWEI SUN2000 8KTL 400V; HUAWEI SUN2000 10KTL 400V; HUAWEI SUN2000 12KTL 400V;
 HUAWEI SUN2000 15KTL 400V; HUAWEI SUN2000 17KTL 400V; HUAWEI SUN2000 20KTL 400V;
 HUAWEI SUN2000 23KTL 400V; HUAWEI SUN2000 28KTL 480V;



Series Connection

Inverter	R [Ω]	X [Ω]	Inverter Output Voltage
SUN2000-8KL	0.02	-74	3×400Vac
SUN2000-10KL	0.02	-74	3×400Vac
SUN2000-12KL	0.02	-74	3×400Vac
SUN2000-15KL	0.02	-59	3×400Vac
SUN2000-17KL	0.02	-59	3×400Vac
SUN2000-20KL	0.02	-59	3×400Vac
SUN2000-23KL	0.02	-59	3×400Vac
SUN2000-28KL	0.02	-59	3×480Vac

Huawei Technologies Co., Ltd.

Nuremberg, Germany. 07 Apr 2014

Chen Guoguang
 (Head of Inverter Europe)

Chen Guoguang