

## Impedance at 175 Hz

HUAWEI TECHNOLOGIES Co., Ltd.

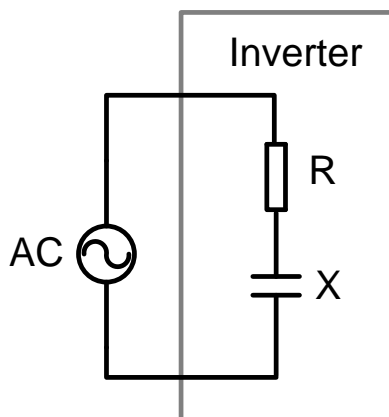
Declare that the PV Inverter Brand/Model:

**HUAWEI SUN2000 8KTL 400V;HUAWEI SUN2000 10KTL 400V;HUAWEI SUN2000 12KTL 400V;**

**HUAWEI SUN2000 15KTL 400V; HUAWEI SUN2000 17KTL 400V;HUAWEI SUN2000 20KTL 400V;**

**HUAWEI SUN2000 23KTL 400V; HUAWEI SUN2000 28KTL 480V; HUAWEI SUN2000 33KTL 400V;**

**HUAWEI SUN2000 36KTL 400V/480V; HUAWEI SUN2000 42KTL 480V**



Series Connection

Inverter	R [ $\Omega$ ]	X [ $\Omega$ ]	Inverter Output Voltage
SUN2000-8KL	0.02	-74	3×400Vac
SUN2000-10KL	0.02	-74	3×400Vac
SUN2000-12KL	0.02	-74	3×400Vac
SUN2000-15KL	0.02	-59	3×400Vac
SUN2000-17KL	0.02	-59	3×400Vac
SUN2000-20KL	0.02	-59	3×400Vac
SUN2000-23KL	0.02	-59	3×400Vac
SUN2000-28KL	0.02	-59	3×480Vac
SUN2000-33KL	0.015	-50	3×400Vac
SUN2000-36KL	0.015	-43	3×400Vac 3×480Vac
SUN2000-42KL	0.015	-43	3×480Vac

Shenzhen, Jun, 2016/06/07  
HUAWEI TECHNOLOGIES Co., Ltd  
Huawei Industrial Base, Bantian  
Longgang, Shenzhen P.R.C.  
www.huawei.com